

IBM BladeCenter Copper Pass-thru Module



# Installation Guide



IBM BladeCenter Copper Pass-thru Module



# Installation Guide

**Note:**

Before using this information and the product it supports, read the *Warranty Information* document, the general information in *Notices*, and the *Important Notices* document that comes with the product. Read the IBM Safety Information and the *License Agreement for Machine Code (LAMC)* document on the IBM *Documentation* CD. Read the *Environmental Notices and User Guide* on the IBM *Environmental Notices* CD.

**Third Edition (June 2012)**

© Copyright IBM Corporation 2012.

US Government Users Restricted Rights – Use, duplication or disclosure restricted by GSA ADP Schedule Contract with IBM Corp.

---

# Contents

<b>Safety</b> . . . . .	<b>v</b>
<b>Chapter 1. Introducing the IBM BladeCenter Copper Pass-thru Module</b>	<b>1</b>
Related documentation . . . . .	2
Features and specifications. . . . .	3
Inventory checklist . . . . .	4
Notices and statements used in this book. . . . .	4
Major components of the copper pass-thru module . . . . .	5
<b>Chapter 2. Installing and removing a copper pass-thru module</b> . . . . .	<b>7</b>
I/O module interface requirements . . . . .	8
Blade server Ethernet controller numbering. . . . .	10
Installation guidelines . . . . .	11
System reliability considerations . . . . .	11
Handling static-sensitive devices . . . . .	11
Installing a copper pass-thru module . . . . .	14
Removing a copper pass-thru module . . . . .	20
<b>Chapter 3. Information LEDs and external ports</b> . . . . .	<b>23</b>
Front panel . . . . .	23
Information LEDs . . . . .	25
<b>Chapter 4. Completing the installation</b> . . . . .	<b>27</b>
Cable connection . . . . .	27
Connecting to the copper pass-thru module . . . . .	28
Connecting to network infrastructure. . . . .	28
Configuring the copper pass-thru module . . . . .	29
Updating I/O module firmware . . . . .	29
Troubleshooting . . . . .	29
<b>Appendix A. Getting help and technical assistance</b> . . . . .	<b>31</b>
Before you call . . . . .	31
Using the documentation. . . . .	31
Getting help and information from the World Wide Web . . . . .	32
Software service and support . . . . .	32
Hardware service and support . . . . .	32
<b>Appendix B. Notices</b> . . . . .	<b>33</b>
Edition notice . . . . .	34
Trademarks . . . . .	34
Important notes . . . . .	35
Product recycling and disposal . . . . .	36

Battery return program . . . . .	36
Electronic emission notices . . . . .	36
Federal Communications Commission (FCC) statement . . . . .	37
Industry Canada Class A emission compliance statement . . . . .	37
Avis de conformité à la réglementation d'Industrie Canada . . . . .	37
Australia and New Zealand Class A statement . . . . .	37
European Union EMC Directive conformance statement . . . . .	37
Germany Class A statement . . . . .	38
Deutschland: Einhaltung des Gesetzes über die elektromagnetische Verträglichkeit von Geräten . . . . .	38
Zulassungsbescheinigung laut dem Deutschen Gesetz über die elektromagnetische Verträglichkeit von Geräten (EMVG) (bzw. der EMC EG Richtlinie 2004/108/EG) für Geräte der Klasse A . . . . .	39
VCCI Class A statement . . . . .	39
Japan Electronics and Information Technology Industries Association (JEITA) statement . . . . .	39
Korea Communications Commission (KCC) statement . . . . .	40
Russia Electromagnetic Interference (EMI) Class A statement . . . . .	40
People's Republic of China Class A electronic emission statement . . . . .	40
Taiwan Class A compliance statement . . . . .	40
<b>Index . . . . .</b>	<b>41</b>

---

## Safety

Before installing this product, read the Safety Information.

قبل تركيب هذا المنتج، يجب قراءة الملاحظات الأمنية

Antes de instalar este produto, leia as Informações de Segurança.

在安装本产品之前，请仔细阅读 **Safety Information** (安全信息)。

安裝本產品之前，請先閱讀「安全資訊」。

Prije instalacije ovog produkta obavezno pročitajte Sigurnosne Upute.

Před instalací tohoto produktu si přečtěte příručku bezpečnostních instrukcí.

Læs sikkerhedsforskrifterne, før du installerer dette produkt.

Lees voordat u dit product installeert eerst de veiligheidsvoorschriften.

Ennen kuin asennat tämän tuotteen, lue turvaohjeet kohdasta Safety Information.

Avant d'installer ce produit, lisez les consignes de sécurité.

Vor der Installation dieses Produkts die Sicherheitshinweise lesen.

Πριν εγκαταστήσετε το προϊόν αυτό, διαβάστε τις πληροφορίες ασφάλειας (safety information).

לפני שתתקינו מוצר זה, קראו את הוראות הבטיחות.

A termék telepítése előtt olvassa el a Biztonsági előírásokat!

Prima di installare questo prodotto, leggere le Informazioni sulla Sicurezza.

製品の設置の前に、安全情報をお読みください。

본 제품을 설치하기 전에 안전 정보를 읽으십시오.

Пред да се инсталира овој продукт, прочитајте информацијата за безбедност.

Les sikkerhetsinformasjonen (Safety Information) før du installerer dette produktet.

Przed zainstalowaniem tego produktu, należy zapoznać się z książką "Informacje dotyczące bezpieczeństwa" (Safety Information).

Antes de instalar este produto, leia as Informações sobre Segurança.

Перед установкой продукта прочтите инструкции по технике безопасности.

Pred inštaláciou tohto zariadenia si pečítajte Bezpečnostné predpisy.

Pred namestitvijo tega proizvoda preberite Varnostne informacije.

Antes de instalar este producto, lea la información de seguridad.

Läs säkerhetsinformationen innan du installerar den här produkten.

**Important:**

All caution and danger statements in this documentation begin with a number. This number is used to cross reference an English caution or danger statement with translated versions of the caution or danger statement in the *IBM Safety Information* book.

For example, if a caution statement begins with a number 1, translations for that caution statement appear in the *IBM Safety Information* book under statement 1.

Be sure to read all caution and danger statements in this documentation before performing the instructions. Read any additional safety information that comes with your server or optional device before you install the device.



**Statement 1:**



**DANGER**

Electrical current from power, telephone, and communication cables is hazardous.

To avoid a shock hazard:

- Do not connect or disconnect any cables or perform installation, maintenance, or reconfiguration of this product during an electrical storm.
- Connect all power cords to a properly wired and grounded electrical outlet.
- Connect to properly wired outlets any equipment that will be attached to this product.
- When possible, use one hand only to connect or disconnect signal cables.
- Never turn on any equipment when there is evidence of fire, water, or structural damage.
- Disconnect the attached power cords, telecommunications systems, networks, and modems before you open the device covers, unless instructed otherwise in the installation and configuration procedures.
- Connect and disconnect cables as described in the following table when installing, moving, or opening covers on this product or attached devices.

**To Connect:**

1. Turn everything OFF.
2. First, attach all cables to devices.
3. Attach signal cables to connectors.
4. Attach power cords to outlet.
5. Turn device ON.

**To Disconnect:**

1. Turn everything OFF.
2. First, remove power cords from outlet.
3. Remove signal cables from connectors.
4. Remove all cables from devices.

**Statement 2:**



**CAUTION:**

When replacing the lithium battery, use only IBM Part Number 33F8354 or an equivalent type battery recommended by the manufacturer. If your system has a module containing a lithium battery, replace it only with the same module type made by the same manufacturer. The battery contains lithium and can explode if not properly used, handled, or disposed of.

*Do not:*

- Throw or immerse into water
- Heat to more than 100°C (212°F)
- Repair or disassemble

Dispose of the battery as required by local ordinances or regulations.

Statement 3:



**CAUTION:**

When laser products (such as CD-ROMs, DVD drives, fiber optic devices, or transmitters) are installed, note the following:

- Do not remove the covers. Removing the covers of the laser product could result in exposure to hazardous laser radiation. There are no serviceable parts inside the device.
- Use of controls or adjustments or performance of procedures other than those specified herein might result in hazardous radiation exposure.



**DANGER**

Some laser products contain an embedded Class 3A or Class 3B laser diode. Note the following.

Laser radiation when open. Do not stare into the beam, do not view directly with optical instruments, and avoid direct exposure to the beam.



Class 1 Laser Product  
Laser Klasse 1  
Laser Klass 1  
Luokan 1 Laserlaite  
Appareil À Laser de Classe 1

**Statement 6:**



**CAUTION:**

If you install a strain-relief bracket option over the end of the power cord that is connected to the device, you must connect the other end of the power cord to an easily accessible power source.

**Statement 8:**



**CAUTION:**

Never remove the cover on a power supply or any part that has the following label attached.



Hazardous voltage, current, and energy levels are present inside any component that has this label attached. There are no serviceable parts inside these components. If you suspect a problem with one of these parts, contact a service technician.

Statement 13:



**DANGER**

**Overloading a branch circuit is potentially a fire hazard and a shock hazard under certain conditions. To avoid these hazards, ensure that your system electrical requirements do not exceed branch circuit protection requirements. Refer to the information that is provided with your device for electrical specifications.**

**WARNING:** Handling the cord on this product or cords associated with accessories sold with this product, will expose you to lead, a chemical known to the State of California to cause cancer, and birth defects or other reproductive harm. *Wash hands after handling.*

**ADVERTENCIA:** El contacto con el cable de este producto o con cables de accesorios que se venden junto con este producto, pueden exponerle al plomo, un elemento químico que en el estado de California de los Estados Unidos está considerado como un causante de cáncer y de defectos congénitos, además de otros riesgos reproductivos. *Lávese las manos después de usar el producto.*



---

## Chapter 1. Introducing the IBM BladeCenter Copper Pass-thru Module

This *Installation Guide* for the IBM® BladeCenter® Copper Pass-thru Module contains information about:

- Installing the module
- Connecting the module to your existing network infrastructure

For installation details, see Chapter 2, “Installing and removing a copper pass-thru module,” on page 7. For additional information, see the instructions in your BladeCenter unit documentation.

A BladeCenter unit such as the IBM eServer™ BladeCenter Type 8677 or the IBM @server BladeCenter T Types 8720 and 8730 supports installation of up to four I/O modules that enable it to communicate with your external resources. Some types of BladeCenter units support fewer I/O modules. Several types of I/O modules are available, each specifically designed to communicate with a specific environment. The IBM BladeCenter Copper Pass-thru Module is one of the types of I/O modules that can be installed in a BladeCenter unit. The copper pass-thru module provides an unconfigured network connection that enables the blade servers in the BladeCenter unit to connect to an existing network infrastructure. No configuration of the copper pass-thru module is required.

### Notes:

1. In this document, the term *BladeCenter unit* refers to any IBM BladeCenter, BladeCenter T, or other BladeCenter-class chassis model, except where specifically indicated otherwise.
2. Some models of BladeCenter units support only two I/O modules, in I/O module bay 1 and bay 2. See the documentation that comes with each BladeCenter unit for information about the number and type of I/O modules supported.

Blade servers communicate with the copper pass-thru module using integrated Ethernet controllers or through an optional blade server I/O expansion card. Ethernet controllers integrated on the blade server system board are connected to I/O-module bay 1 and bay 2. The I/O expansion cards are connected to I/O-module bay 3 and bay 4.

Performance, reliability, and expansion capabilities were key considerations in the design of the copper pass-thru module. These design features make it possible for you to customize the system hardware to meet your needs today, while providing flexible expansion capabilities for the future.

You can obtain up-to-date information about the copper pass-thru module and other IBM server products at <http://www-947.ibm.com/support/entry/portal/documentation/>.

The product name and serial number are located on the identification label on the side of the copper pass-thru module. You will need this information when you register the copper pass-thru module with IBM. See “Major components of the copper pass-thru module” on page 5 for an illustration that shows the location of the identification label.

**Note:** The illustrations in this document might differ slightly from your hardware.

---

## Related documentation

This *Installation Guide* contains detailed installation and setup instructions for the IBM BladeCenter Copper Pass-thru Module. This document also provides general information about the copper pass-thru module, including information about features and how to get help.

In addition to this *Installation Guide*, the following related documentation is provided with your BladeCenter unit and blade server:

- *Rack Installation Instructions*

This document contains the instructions to install your BladeCenter unit in a rack.

- *IBM BladeCenter Installation and User's Guide*

This document is provided in PDF on the IBM BladeCenter unit *Documentation CD*. It provides general information about the BladeCenter unit, including:

- Information about features
- How to set up, cable, and start your BladeCenter unit
- How to install options in your BladeCenter unit
- How to configure your BladeCenter unit
- How to perform basic troubleshooting of your BladeCenter unit
- How to get help

- *IBM BladeCenter blade server Installation and User's Guides*

Each type of blade server has a customized *Installation and User's Guide*. These documents are provided in PDF on the IBM BladeCenter unit or option *Documentation CD*. They provide general information about your blade server, including:

- Information about features
- How to set up and start your blade server



- How to install options in your blade server
- How to configure your blade server
- How to install an operating system on your blade server
- How to perform basic troubleshooting of your blade server
- How to get help
- *Safety Information*

This document is in PDF on the IBM BladeCenter unit or option *Documentation CD*. It contains translated caution and danger statements. Each caution and danger statement that appears in the documentation has a number that you can use to locate the corresponding statement in your language in the *Safety Information* book.
- *Hardware Maintenance Manual and Troubleshooting Guides*

These documents are in PDF on the IBM BladeCenter unit *Documentation CD*. They contain information to help you solve problems yourself, and they contain information for service technicians.

Depending on your blade server model, additional documents might be included on the IBM BladeCenter unit *Documentation CD*.

---

## Features and specifications

This section provides a summary of the features and specifications for the copper pass-thru module.

The features include:

- Ports
  - Three external copper ports for making connections to network infrastructure. Each port provides connections for up to five bi-directional copper channels.
  - Fourteen internal bi-directional ports, connected through the copper pass-thru cables to each of the blade servers
- Status and error LEDs

Information LEDs on the front panel indicate I/O module port status and errors.
- Cables:
  - Up to three copper pass-thru module cables can be connected to the copper pass-thru module. One copper pass-thru module cable is provided.
  - The copper pass-thru module cables are terminated with industry-standard bi-directional connectors.

---

## Inventory checklist

Make sure that the shipping carton contains the following items:

- One IBM @server BladeCenter Copper Pass-thru Module
- One copper pass-thru module cable
- One IBM *Documentation* CD
- One IBM *Environmental Notices* CD
- One *Warranty Information* document
- One *Important Notices* document

If any of these items are missing or damaged, contact your local reseller for replacement.

---

## Notices and statements used in this book

The caution and danger statements that appear in this book are also in the multilingual *Safety Information* guide on the IBM *Documentation* CD. Each statement is numbered for reference to the corresponding statement in the *Safety Information* guide.

The following notices and statements are used in this book:

- **Note:** These notices provide important tips, guidance, or advice.
- **Important:** These notices provide information or advice that might help you avoid inconvenient or problem situations.
- **Attention:** These notices indicate possible damage to programs, devices, or data. An attention notice is placed just before the instruction or situation in which damage could occur.
- **Caution:** These statements indicate situations that can be potentially hazardous to you. A caution statement is placed just before the description of a potentially hazardous procedure step or situation.
- **Danger:** These statements indicate situations that can be potentially lethal or extremely hazardous to you. A danger statement is placed just before the description of a potentially lethal or extremely hazardous procedure step or situation.

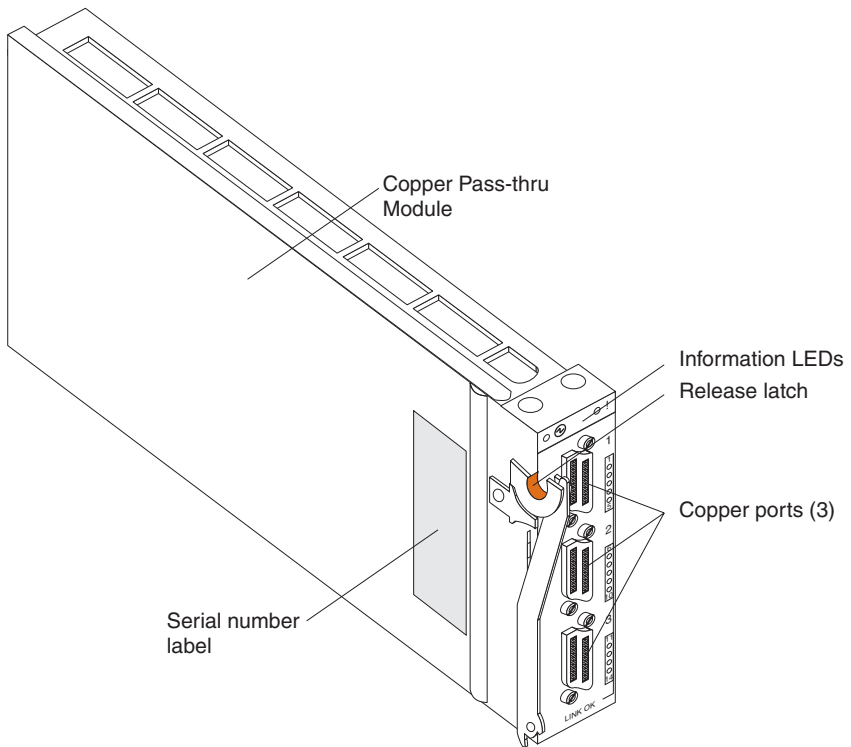
---

## Major components of the copper pass-thru module

Figure 1 shows the major components of the copper pass-thru module.

**Note:** The illustrations in this document might differ slightly from your hardware.

*Figure 1. Copper pass-thru module*

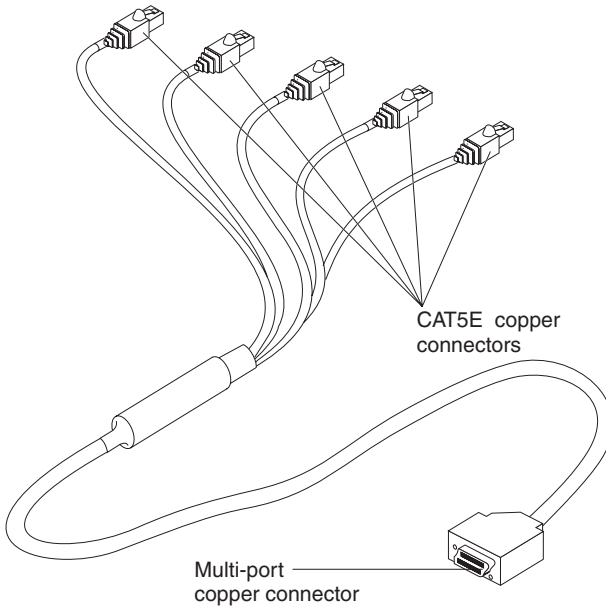


For more information about the components of the front panel, see Chapter 3, "Information LEDs and external ports," on page 23.

### Copper pass-thru module cables:

Up to three copper pass-thru module cables can be connected to the copper pass-thru module. Figure 2 shows a sample IBM @server BladeCenter copper pass-thru module cable. One copper pass-thru module cable comes with the copper pass-thru module. Copper pass-thru module cables and other optional components for the copper pass-thru module are listed at <http://www.ibm.com/eserver/xseries/>.

Figure 2. Copper pass-thru module cables

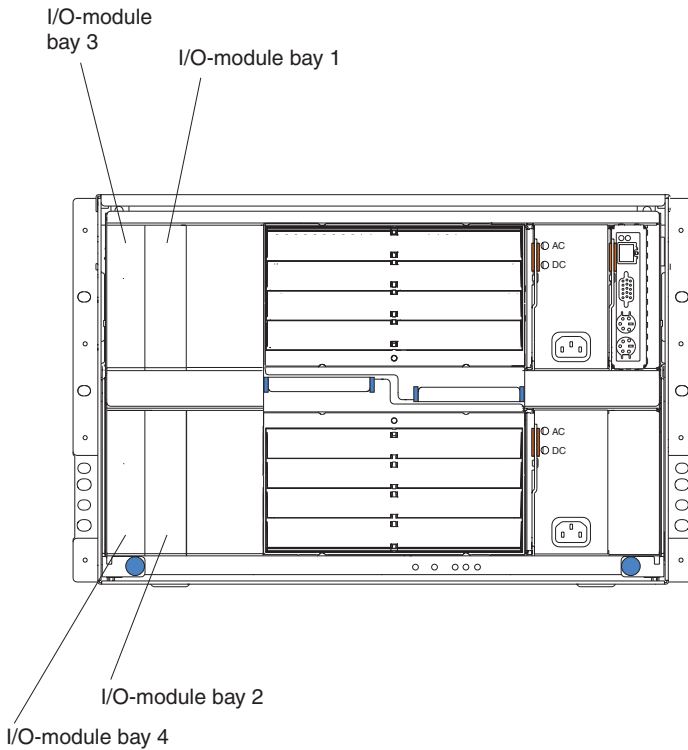


---

## Chapter 2. Installing and removing a copper pass-thru module

Figure 3 shows the BladeCenter I/O-module bay locations.

Figure 3. BladeCenter I/O module bay locations



**Attention:** To maintain proper system cooling and performance, each module bay must contain either a module or a filler module; each blade bay must contain either a blade server, expansion unit, or a filler blade.

Figure 4 on page 8 shows the BladeCenter T I/O module locations.

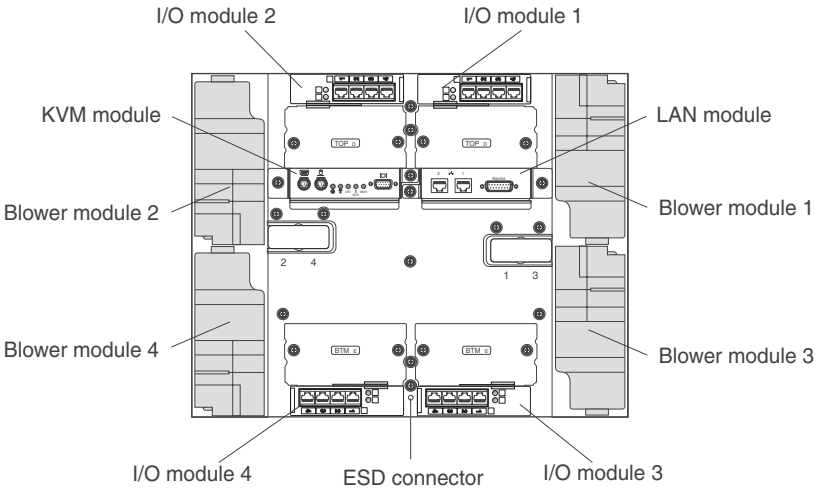


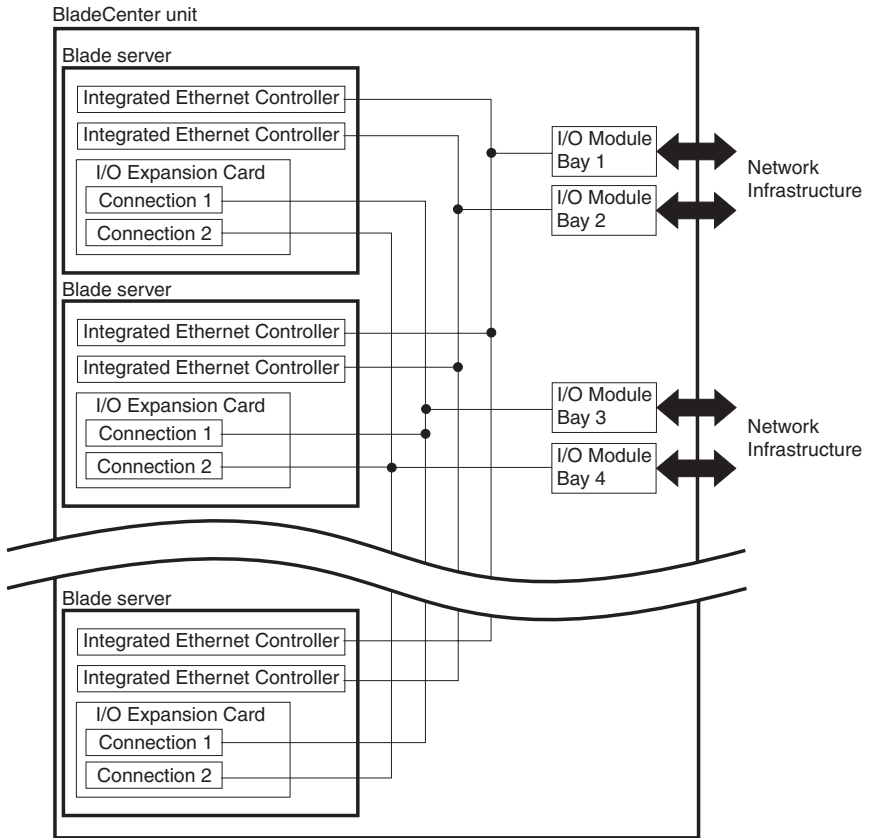
Figure 4. BladeCenter T I/O module bay locations

## I/O module interface requirements

Your BladeCenter unit has two or four I/O-module bays and supports a minimum of one hot-swap I/O module in I/O-module bay 1 or bay 2. Several types of I/O modules are available to meet specific network requirements. Each of the I/O modules must support the blade server interface to which it connects. See <http://www-947.ibm.com/support/entry/portal/documentation/> for a list of options available for your BladeCenter unit.

The blade server integrated Ethernet controllers support connection with the Ethernet switch modules and pass-thru modules. The I/O module in I/O-module bay 1 provides a network connection to one of the Ethernet controllers in all the blade servers in the BladeCenter unit. To provide a network connection for the second Ethernet controller in each blade server, install an I/O module in I/O-module bay 2.

In BladeCenter units that support four I/O modules, if you install an I/O expansion card on any blade server, you must install a hot-swap I/O module that supports the interface type used in I/O-module bay 3 to obtain connection 1 for the I/O expansion card. To provide connection 2 for the I/O expansion card, install an I/O module that supports the interface type used in I/O-module bay 4. The I/O modules in I/O-module bay 3 and bay 4 provide connections to all the I/O expansion cards in the BladeCenter unit.



**Important:** In a BladeCenter unit that supports four I/O modules, the I/O modules in I/O-module bays 3 and 4 on the BladeCenter unit must both be of the same type and must both support the I/O expansion card network-interface type. For example, if you add an Ethernet expansion card to a blade server, the modules in I/O-module bays 3 and 4 on the BladeCenter unit must both be the same and of a type compatible with the Ethernet expansion card. All other I/O expansion cards installed on other blade servers in the BladeCenter unit must also be compatible with these I/O modules. In this example, you could then install two Ethernet-switch modules or two copper pass-thru modules. Copper pass-thru modules are compatible with Ethernet expansion cards.

For additional information, see the *Installation and User's Guide* for your BladeCenter unit on the IBM BladeCenter unit *Documentation CD*.

---

## Blade server Ethernet controller numbering

The numbering of the Ethernet controllers in a blade server is operating-system dependent. You can configure the blade server Ethernet-controller designations by modifying your operating-system settings.

The routing of an Ethernet controller to a particular I/O-module bay depends on the type of blade server. You can find out which Ethernet controller is routed to which I/O module bay by completing the following steps:

1. Install an Ethernet-switch module or pass-thru module in I/O-module bay 1.
2. Make sure that the ports on the Ethernet-switch module or copper pass-thru module are enabled (**I/O Module Tasks > Management > Advanced Management** in the management module Web-based user interface).
3. Enable one of the Ethernet controllers on the blade server. Make a note of the designation for the controller.
4. Ping an external computer on the network connected to the I/O module. If you can ping the external computer, the Ethernet controller that you enabled is associated with the I/O module in I/O-module bay 1. The other Ethernet controller in the blade server is associated with the I/O module in I/O-module bay 2.

If the Ethernet controller that is associated with I/O-module bay 1 does not have the designation that you want, modify the blade-server operating-system settings to change the Ethernet-controller designations.

In a BladeCenter unit that supports four I/O modules, if you have installed an I/O expansion card on a blade server, communications from the option are routed to I/O-module bays 3 and 4. You can make sure which controller on the card is routed to which I/O-module bay by performing the same steps, using a controller on the I/O expansion card and a compatible Ethernet-switch module or copper pass-thru module in I/O bay 3 or 4.



---

## Installation guidelines

Before you begin to install the copper pass-thru module in the BladeCenter unit, read the following information:

- Read the safety information beginning on page v and “Handling static-sensitive devices,” and read the safety statements in the BladeCenter unit documentation.
- Blue on a component indicates touch points, where you can grip a component to remove it from or install it in the BladeCenter unit, open or close a latch, and so on.
- Orange on components and labels in your BladeCenter unit identifies hot-swap or hot-plug components. You can install or remove hot-swap modules while the BladeCenter unit is running. For complete details about installing or removing a hot-swap or hot-plug component, see the detailed information in this chapter.
- The copper pass-thru module supports a 1000 Mbps cable only. Do not connect a 10/100 Mbps cable to the module.
- For a list of supported options for your BladeCenter unit, go to <http://www-03.ibm.com/services/supline/products/>.

## System reliability considerations

**Attention:** To help ensure proper cooling, performance, and system reliability, make sure that:

- Each of the module bays on the rear of the BladeCenter unit has either a module or filler module installed.
- A removed hot-swap module is replaced with an identical module or filler module within 1 minute of removal.
- Cables for the optional modules are routed according to the illustrations and instructions in this document.

## Handling static-sensitive devices

**Attention:** Static electricity can damage electronic devices and your BladeCenter unit. To avoid damage, keep static-sensitive devices in their static-protective packages until you are ready to install them.

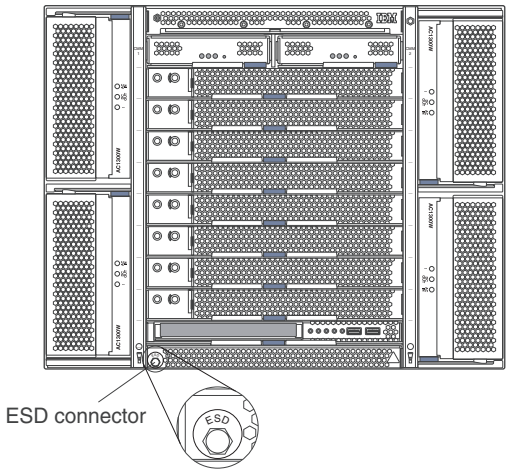
To reduce the possibility of electrostatic discharge, observe the following precautions:

- Limit your movement. Movement can cause static electricity to build up around you.
- Handle the device carefully, holding it by its edges or its frame.
- Do not touch solder joints, pins, or exposed printed circuitry.

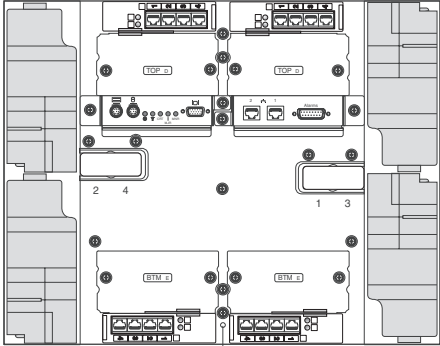
- Do not leave the device where others can handle and possibly damage the device.
- While the device is still in its static-protective package, touch it to any *unpainted* metal surface of the BladeCenter unit chassis or any *unpainted* metal surface on any other grounded rack component in the rack you are installing the device in for at least 2 seconds. (This drains static electricity from the package and from your body.)
- Remove the device from its package and install it directly into your BladeCenter unit without setting it down. If it is necessary to set the device down, place it in its static-protective package. Do not place the device on your BladeCenter chassis or on a metal table.
- Take additional care when handling devices during cold weather because heating reduces indoor humidity and increases static electricity.
- On a BladeCenter T unit, use an ESD wrist strap and the ESD connectors. Electrostatic discharge (ESD) is the release of stored static electricity that can damage electric circuits. Static electricity is often stored in your body and discharged when you come in contact with an object with a different potential. The ESD wrist strap safely channels the electricity from your body to a proper ground (the BladeCenter T unit).

Use an ESD wrist strap whenever you are working on a BladeCenter T unit, especially when you are handling modules, options, and blade servers. To work properly, the wrist strap must have a good contact at both ends (touching your skin at one end and connected to the ESD connector on the front or back of the BladeCenter T unit).

**Location of ESD connector (front of unit)**



Location of ESD connector (rear of unit)



ESD connector

---

## Installing a copper pass-thru module

Statement 3:



### CAUTION:

When laser products (such as CD-ROMs, DVD drives, fiber optic devices, or transmitters) are installed, note the following:

- Do not remove the covers. Removing the covers of the laser product could result in exposure to hazardous laser radiation. There are no serviceable parts inside the device.
- Use of controls or adjustments or performance of procedures other than those specified herein might result in hazardous radiation exposure.



### DANGER

Some laser products contain an embedded Class 3A or Class 3B laser diode. Note the following.

Laser radiation when open. Do not stare into the beam, do not view directly with optical instruments, and avoid direct exposure to the beam.



Class 1 Laser Product

Laser Klasse 1

Laser Class 1

Luokan 1 Laserlaite

Appareil À Laser de Classe 1

**Statement 8:**



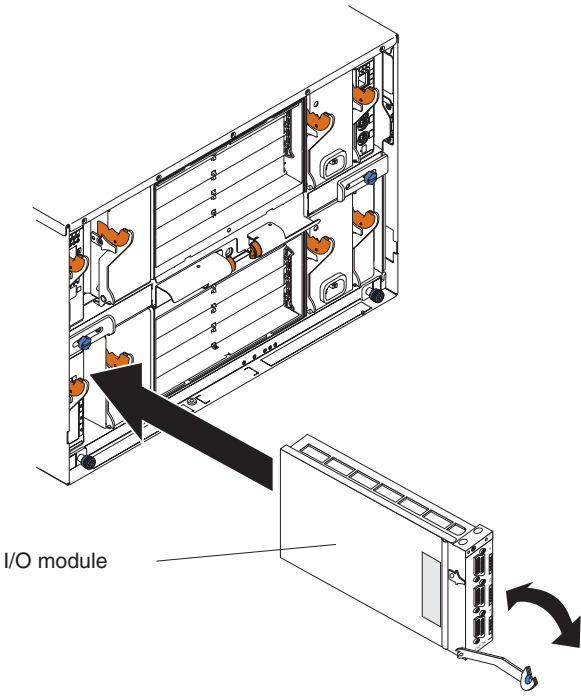
**CAUTION:**

Never remove the cover on a power supply or any part that has the following label attached.

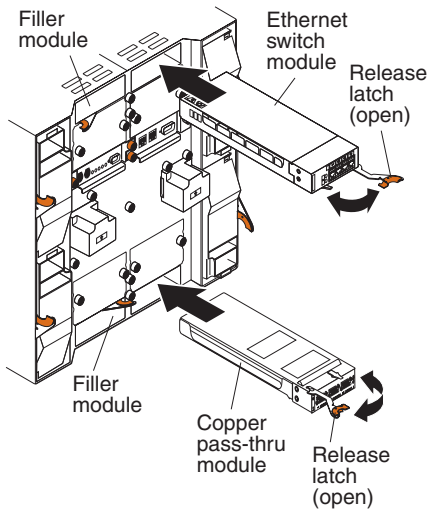


Hazardous voltage, current, and energy levels are present inside any component that has this label attached. There are no serviceable parts inside these components. If you suspect a problem with one of these parts, contact a service technician.

The following illustration shows how to install a copper pass-thru module in an I/O-module bay in the rear of an IBM @server BladeCenter Type 8677 or similar BladeCenter unit.



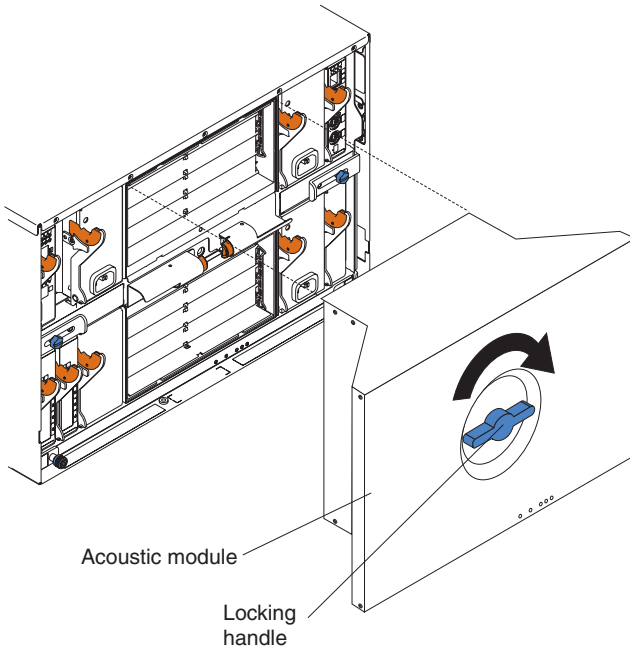
The following illustration shows how to install a copper pass-thru module in an I/O module bay in the rear of an IBM @server BladeCenter T Type 8720 or 8730 or similar BladeCenter unit.



Complete the following steps to install a copper pass-thru module:

1. Make sure that you are using the latest versions of device drivers, firmware, and BIOS code for your blade server and management module. Go to the IBM Support Web site, <http://www.ibm.com/pc/support/> for the latest information about upgrading the device drivers, firmware, and BIOS code for BladeCenter components. The latest instructions are in the documentation that come with the updates.
2. Review the information in "Safety" on page v, "Installation guidelines" on page 11, and "Handling static-sensitive devices" on page 11.

3. If the BladeCenter unit is an IBM @server BladeCenter Type 8677 unit, remove the acoustic-attenuation module, if one is installed, from the rear of the unit.



4. Select an I/O-module bay in which to install the copper pass-thru module.
5. Remove the filler module from the selected bay. Store the filler module for future use.
6. If you have not already done so, touch the static-protective package that contains the copper pass-thru module to any *unpainted* metal surface of the BladeCenter unit chassis or any *unpainted* metal surface on any other grounded rack component for at least two seconds.
7. Remove the copper pass-thru module from its static-protective package.
8. Make sure that the release latch on the copper pass-thru module is in the open position (perpendicular to the module).
9. Slide the copper pass-thru module into the appropriate I/O-module bay until it stops.
10. Push the release latch on the front of the copper pass-thru module to the closed position.



11. Make sure that the LEDs on the copper pass-thru module indicate that it is operating properly. (See “Information LEDs” on page 25 for LED locations.) Make sure that:
  - The green power LED is lit.
  - The amber copper pass-thru module error LED is not lit.
  - The LINK OK LED is lit.If LED conditions are not as specified, see “Troubleshooting” on page 29.
12. If you have other modules to install, do so now; otherwise, go to step 13.
13. Attach any cables required by the copper pass-thru module. See Chapter 4, “Completing the installation,” on page 27 for instructions. For the location of the connectors on the BladeCenter unit, see the *Installation and User's Guide* for your BladeCenter unit on the BladeCenter unit *Documentation CD*.
14. Replace the acoustic-attenuation module, if you removed it in step 3 on page 18.
15. Make sure that the ports on the copper pass-thru module are enabled (**I/O Module Tasks > Management > Advanced Management** in the management module Web-based interface).

---

## Removing a copper pass-thru module

Statement 8:



### CAUTION:

Never remove the cover on a power supply or any part that has the following label attached.

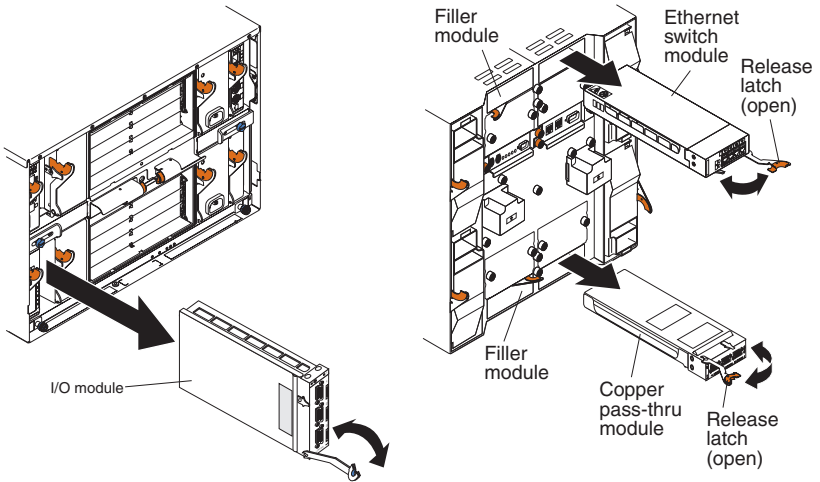


Hazardous voltage, current, and energy levels are present inside any component that has this label attached. There are no serviceable parts inside these components. If you suspect a problem with one of these parts, contact a service technician.

Complete the following steps to remove a copper pass-thru module:

1. If the BladeCenter unit is an IBM @server BladeCenter Type 8677 unit, remove the acoustic-attenuation module, if installed, from the rear of the unit (see step 3 on page 18 to locate the attenuation module).
2. Disconnect any cables from the selected copper pass-thru module.

3. Pull the release latch to the fully-open position as shown in the illustration. The module moves out of the bay slightly.



4. Slide the module out of the bay and set it aside.
5. Place either another I/O module or a filler module in the bay within 1 minute.
6. If you placed another copper pass-thru module in the bay, reconnect any cables that you disconnected in step 2 on page 20.
7. Replace the acoustic-attenuation module option, if you removed it in step 1 on page 20.



---

## Chapter 3. Information LEDs and external ports

This chapter describes the information LEDs (also known as indicators) on the copper pass-thru module and identifies the copper pass-thru module external ports.

---

### Front panel

The front panel of the copper pass-thru module has status LEDs, an LED matrix, and three external copper-interface ports, as shown in the following illustration. Each interface port supports up to five-channels of bi-directional communication, which support fourteen external communication channels.

**Note:** The port-3 E connector is not used.

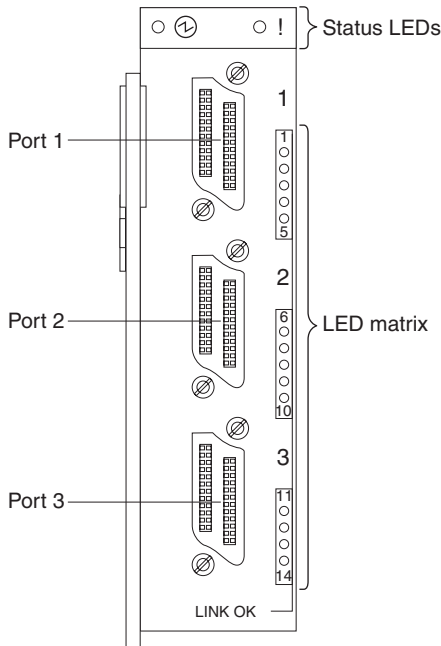


Figure 5. Copper pass-thru module external ports and LED matrix

The copper pass-thru module contains:

- LEDs that display the status of the copper pass-thru module and its network connections (see “Information LEDs” on page 25).

- Three external bi-directional interface ports. The copper pass-thru module cable that connects to each module port provides five copper connectors for connecting to the existing network infrastructure. Table 1 shows how each blade-server bay is assigned to a copper pass-thru module cable connector.
- Fourteen internal ports; connected through the copper pass-thru module cable connectors to each blade-server port.

*Table 1. Blade server bay to port and cable assignments in BladeCenter Type 8677 unit*

Blade server bay	Copper pass-thru module external port	Copper pass-thru module cable connector
1	Port 1 (transceiver 1)	A
2	Port 1 (transceiver 2)	B
3	Port 1 (transceiver 3)	C
4	Port 1 (transceiver 4)	D
5	Port 1 (transceiver 5)	E
6	Port 2 (transceiver 6)	A
7	Port 2 (transceiver 7)	B
8	Port 2 (transceiver 8)	C
9	Port 2 (transceiver 9)	D
10	Port 2 (transceiver 10)	E
11	Port 3 (transceiver 11)	A
12	Port 3 (transceiver 12)	B
13	Port 3 (transceiver 13)	C
14	Port 3 (transceiver 14)	D

*Table 2. Blade server bay to port and cable assignments in BladeCenter T unit*

Blade server bay	Copper Pass-thru Module external port	Copper pass-thru module cable connector-pair
1	Port 1 (transceiver 1)	A
2	Port 1 (transceiver 2)	B
3	Port 1 (transceiver 3)	C
4	Port 1 (transceiver 4)	D
5	Port 1 (transceiver 5)	A
6	Port 2 (transceiver 6)	B
7	Port 2 (transceiver 7)	C
8	Port 2 (transceiver 8)	D

**Notes:**

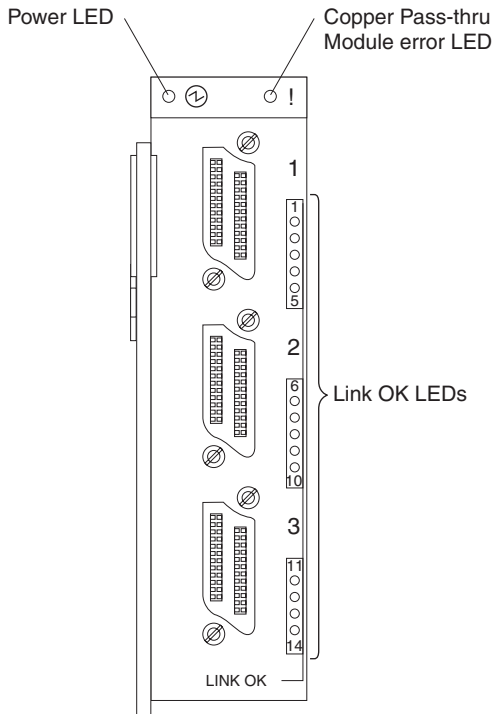
1. Copper pass-thru module cable connectors are marked as A, B, C, D, and E to indicate their channel number.
2. The port-3 E connector is not used.

---

**Information LEDs**

There are two sets of LEDs on the copper pass-thru module front panel. The first row of LEDs at the top of the I/O module represent I/O-module status and include the power LED and the copper pass-thru module error LED (!). The second set of LEDs are grouped in an LED matrix that indicates the link status for each copper-port channel and copper-port errors. The following illustration shows the LEDs on the copper pass-thru module. A description of each LED follows the illustration.

*Figure 6. Information LEDs*



**Notes:**

1. The illustrations in this document might differ slightly from your hardware.
2. An amber LED is lit when an error or event has occurred. To identify the error or event, check the other LEDs on the copper pass-thru module.
3. An LED test occurs whenever the I/O module is turned on. All LEDs are lit and remain lit for approximately 5 seconds and then return to a normal state.

**Power LED**

This green LED is at the top of the I/O module on the front panel. When this LED is lit, it indicates that the I/O module has passed the POST and is operational.

**Copper pass-thru module error LED (!)**

This amber LED is at the top of the I/O module on the front panel. This LED indicates that the I/O module has an error. If the I/O module fails the POST, this error LED is lit.

**LINK OK LEDs**

There are fourteen green LINK OK LEDs on the right side of the LED matrix on the front panel. Each of these LEDs indicates that there is a valid connection to a device on that port channel and that both ends of this connection are successfully communicating using compatible network protocols. (See Chapter 4, "Completing the installation," on page 27 for information about supported networking environments.) The LINK OK LEDs are arranged in a way that identifies each port channel (LED columns A, B, C, D, and E) and the transceiver (LED rows 1, 2, and 3) that is associated with it. If a LINK OK LED is not lit, make sure that the blade server is in the correct slot and is powered-on.



---

## Chapter 4. Completing the installation

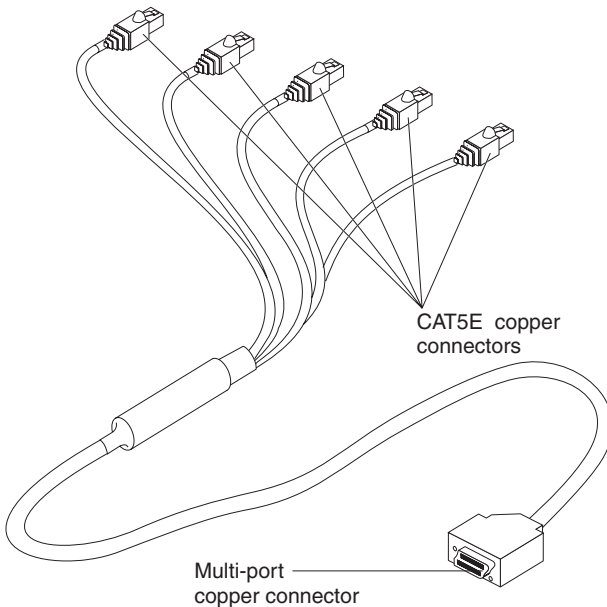
This chapter provides instructions for connecting the copper pass-thru module to your existing network infrastructure.

The module automatically configures itself to operate in several networking environments. No manual configuration or special device drivers are needed. See the documentation for your existing network infrastructure for configuration information.

---

### Cable connection

The copper pass-thru module is connected to existing network infrastructure using copper CAT5E cables. One cable comes with the copper pass-thru module. A sample copper pass-thru module cable is shown below:



The CAT5E cable connectors that are attached to your network infrastructure are numbered to identify their port channel. See Table 1 on page 24 for blade-server-to-port mapping information.

**Attention:** To avoid damage to your cables, follow these guidelines:

- Use care when routing the cable along a folding cable-management arm. Some ports will not operate if the cable is incorrectly connected.
- For devices on slide rails, leave enough slack in the cable so that it does not bend to a radius less than 38 mm (1.5 in.) when extended or become pinched when retracted.
- Route the cable away from places where it can be damaged by other devices in the rack cabinet.
- Do not use plastic cable ties in place of cable straps.
- Do not overtighten the cable straps or bend the cables to a radius less than 38 mm (1.5 in.).
- Do not put excess weight on the cable at the connection point. Be sure that the cable is well supported.

## Connecting to the copper pass-thru module

The end of the copper pass-thru cable with one connector is attached to one of the port connectors on the copper pass-thru module. Complete the following steps to connect a copper pass-thru cable to the copper pass-thru module:

1. Orient the cable connector so that the cable connector key aligns with the key in the port connector of the copper pass-thru module; then, insert the cable connector in the port connector. Make sure that the cable is routed *upwards* in the rack cabinet; this cable route provides for the 45° *upwards* angle of the cable connector.
2. Press on the connector to seat the connector in place and tighten the captive thumb-screws until the cable is secure on the module.

**Note:** Some ports will not operate if the cable is not correctly connected.

To disconnect the cable, loosen the two captive thumb-screws and remove the cable from the module.

## Connecting to network infrastructure

The end of the copper pass-thru cable with five bi-directional (duplex) connectors is connected to your network infrastructure. Each bi-directional connector provides a transmit-and-receive pair for one of the five bi-directional channels supported by the cable. (See Table 1 on page 24 for blade-server-bay-to-CAT5E-connector mapping.) Complete the following steps to connect one of the copper pass-thru cable channels to your network infrastructure:

1. Orient the cable connectors with the port connectors of your infrastructure, making sure that the cable-connector keys align with the keys in the port connectors; then, insert the cable connectors in the port connectors.
2. Press the copper cable connector until it clicks and locks in place.

To disconnect the cable, release the lock before removing the cable from the port.

---

## Configuring the copper pass-thru module

The copper pass-thru module provides an unconfigured network connection and requires no configuration to communicate with network resources. The copper pass-thru module provides an advanced configuration that enables or disables the ports. See the BladeCenter unit *Management Module User's Guide* for general information on managing BladeCenter I/O modules.

---

## Updating I/O module firmware

Go to the IBM Support Web site, <http://www.ibm.com/pc/support/> for the latest information about upgrading the firmware for your I/O module. The latest instructions are in the documentation that comes with the update.

---

## Troubleshooting

If you are having a problem, use the following information to help you to determine the cause of the problem and the action to take. Additional troubleshooting and debugging procedures are available in the *Hardware Maintenance Manual and Troubleshooting Guide* for your BladeCenter unit on the IBM BladeCenter unit *Documentation CD*.

Make sure that you are using the latest versions of device drivers, firmware, and BIOS code for your blade server and management module. If these items are obsolete, the BladeCenter unit might not recognize the I/O module and might not turn it on. Go to the IBM Support Web site, <http://www-947.ibm.com/support/entry/portal/documentation/> for the latest information about upgrading the device drivers, firmware, and BIOS code for BladeCenter components. The latest instructions are in the documentation that come with the updates.

To determine whether your installation problem is caused by the hardware, perform the following tasks:

- Make sure that the I/O module is installed correctly.
- Make sure that all peripheral devices connected to the I/O module are turned on, operating properly, and are properly connected.
- Make sure that the blade servers and I/O expansion cards using the I/O modules are installed correctly in the BladeCenter unit.
- The copper pass-thru module must be connected using a 1000 Mbps cable or the LINK OK LED will not light. Using a 10/100 Mbps cable will cause port problems and connection issues.

To determine whether your installation problem is caused by the system configuration, check the I/O module settings using the management-module Web-based interface. See the BladeCenter unit *Management Module User's Guide* on the IBM BladeCenter unit or option *Documentation* CD for general information on managing BladeCenter I/O modules.

If you still have a system configuration problem, see the documentation that comes with your IBM BladeCenter unit, or contact your IBM technical-support representative.

---

## Appendix A. Getting help and technical assistance

If you need help, service, or technical assistance or just want more information about IBM products, you will find a wide variety of sources available from IBM to assist you. This appendix contains information about where to go for additional information about IBM and IBM products, what to do if you experience a problem with your @server or IntelliStation® system, and whom to call for service, if it is necessary.

---

### Before you call

Before you call, make sure that you have taken these steps to try to solve the problem yourself:

- Check all cables to make sure that they are connected.
- Check the power switches to make sure that the system is turned on.
- Use the troubleshooting information in your system documentation, and use the diagnostic tools that come with your system. Information about diagnostic tools is in the *Hardware Maintenance Manual and Troubleshooting Guide* or *Problem Determination Guide* on the *IBM xSeries Documentation CD* or *IBM BladeCenter Documentation CD* or in the *IntelliStation Hardware Maintenance Manual* at the IBM support Web site.
- Go to the IBM support Web site at <http://www-947.ibm.com/support/entry/portal/docdisplay?brand=5000008&Indocid=SERV-CALL> to check for technical information, hints, tips, and new device drivers or to submit a request for information.

You can solve many problems without outside assistance by following the troubleshooting procedures that IBM provides in the online help or in the publications that are provided with your system and software. The information that comes with your system also describes the diagnostic tests that you can perform. Most @server and IntelliStation systems, operating systems, and programs come with information that contains troubleshooting procedures and explanations of error messages and error codes. If you suspect a software problem, see the information for the operating system or program.

---

### Using the documentation

Information about your IBM BladeCenter or IntelliStation system and preinstalled software, if any, is available in the documentation that comes with your system. That documentation includes printed books, online books, readme files, and help files. See the troubleshooting information in your system documentation for instructions for using the diagnostic programs. The troubleshooting information or the diagnostic programs might tell you that you

need additional or updated device drivers or other software. IBM maintains pages on the World Wide Web where you can get the latest technical information and download device drivers and updates. To access the latest documentation, go to <http://www-947.ibm.com/support/entry/portal/documentation/>, enter the name of your product in the **Quick Find** field and press **Enter**. Also, some hardcopy documents are available through the IBM Publications Center at <http://www.elink.ibm.com/public/applications/publications/cgibin/pbi.cgi>.

---

## Getting help and information from the World Wide Web

On the World Wide Web, the IBM Web site has up-to-date information about IBM @server and IntelliStation products, services, and support. The address for IBM IntelliStation information is <http://www.ibm.com/systems/intellistation/>.

You can find service information for your IBM products, including supported options, at <http://www.ibm.com/supportportal/>.

---

## Software service and support

Through IBM Support Line, you can get telephone assistance, for a fee, with usage, configuration, and software problems with xSeries servers, BladeCenter products, IntelliStation workstations, and appliances. For information about which products are supported by Support Line in your country or region, see <http://www.ibm.com/services/sl/products/>.

For more information about Support Line and other IBM services, see <http://www-03.ibm.com/services/supline/products/>, or see <http://www.ibm.com/planetwide/> for support telephone numbers. In the U.S. and Canada, call 1-800-IBM-SERV (1-800-426-7378).

---

## Hardware service and support

You can receive hardware service through IBM Services or through your IBM reseller, if your reseller is authorized by IBM to provide warranty service. See <http://www.ibm.com/planetwide/> for support telephone numbers, or in the U.S. and Canada, call 1-800-IBM-SERV (1-800-426-7378).

In the U.S. and Canada, hardware service and support is available 24 hours a day, 7 days a week. In the U.K., these services are available Monday through Friday, from 9 a.m. to 6 p.m.

---

## Appendix B. Notices

This information was developed for products and services offered in the U.S.A.

IBM may not offer the products, services, or features discussed in this document in other countries. Consult your local IBM representative for information on the products and services currently available in your area. Any reference to an IBM product, program, or service is not intended to state or imply that only that IBM product, program, or service may be used. Any functionally equivalent product, program, or service that does not infringe any IBM intellectual property right may be used instead. However, it is the user's responsibility to evaluate and verify the operation of any non-IBM product, program, or service.

IBM may have patents or pending patent applications covering subject matter described in this document. The furnishing of this document does not give you any license to these patents. You can send license inquiries, in writing, to:

*IBM Director of Licensing  
IBM Corporation  
North Castle Drive  
Armonk, NY 10504-1785  
U.S.A.*

INTERNATIONAL BUSINESS MACHINES CORPORATION PROVIDES THIS PUBLICATION "AS IS" WITHOUT WARRANTY OF ANY KIND, EITHER EXPRESS OR IMPLIED, INCLUDING, BUT NOT LIMITED TO, THE IMPLIED WARRANTIES OF NON-INFRINGEMENT, MERCHANTABILITY OR FITNESS FOR A PARTICULAR PURPOSE. Some states do not allow disclaimer of express or implied warranties in certain transactions, therefore, this statement may not apply to you.

This information could include technical inaccuracies or typographical errors. Changes are periodically made to the information herein; these changes will be incorporated in new editions of the publication. IBM may make improvements and/or changes in the product(s) and/or the program(s) described in this publication at any time without notice.

Any references in this information to non-IBM Web sites are provided for convenience only and do not in any manner serve as an endorsement of those Web sites. The materials at those Web sites are not part of the materials for this IBM product, and use of those Web sites is at your own risk.

IBM may use or distribute any of the information you supply in any way it believes appropriate without incurring any obligation to you.

---

## Edition notice

© Copyright International Business Machines Corporation 2012. All rights reserved.

U.S. Government Users Restricted Rights — Use, duplication, or disclosure restricted by GSA ADP Schedule Contract with IBM Corp.

---

## Trademarks

The following terms are trademarks of International Business Machines Corporation in the United States, other countries, or both:

Active Memory	Predictive Failure Analysis
Active PCI	PS/2
Active PCI-X	ServeRAID
Alert on LAN	ServerGuide
BladeCenter	ServerProven
C2T Interconnect	TechConnect
Chipkill	ThinkPad
EtherJet	Tivoli
e-business logo	Tivoli Enterprise Update Connector
@server	Wake on LAN
FlashCopy	XA-32
IBM	XA-64
IBM (logo)	X-Architecture
IntelliStation	XceL4
NetBAY	XpandOnDemand
Netfinity	xSeries
NetView	
OS/2 WARP	

Intel, MMX, and Pentium are trademarks of Intel Corporation in the United States, other countries, or both.

Microsoft, Windows, and Windows NT are trademarks of Microsoft Corporation in the United States, other countries, or both.

UNIX is a registered trademark of The Open Group in the United States and other countries.



Java and all Java-based trademarks and logos are trademarks or registered trademarks of Sun Microsystems, Inc. in the United States, other countries, or both.

Adaptec and HostRAID are trademarks of Adaptec, Inc., in the United States, other countries, or both.

Red Hat, the Red Hat “Shadow Man” logo, and all Red Hat-based trademarks and logos are trademarks or registered trademarks of Red Hat, Inc., in the United States and other countries.

Other company, product, or service names may be trademarks or service marks of others.

---

## Important notes

Processor speeds indicate the internal clock speed of the microprocessor; other factors also affect application performance.

CD-ROM drive speeds list the variable read rate. Actual speeds vary and are often less than the maximum possible.

When referring to processor storage, real and virtual storage, or channel volume, KB stands for approximately 1000 bytes, MB stands for approximately 1 000 000 bytes, and GB stands for approximately 1 000 000 000 bytes.

When referring to hard disk drive capacity or communications volume, MB stands for 1 000 000 bytes, and GB stands for 1 000 000 000 bytes. Total user-accessible capacity may vary depending on operating environments.

Maximum internal hard disk drive capacities assume the replacement of any standard hard disk drives and population of all hard disk drive bays with the largest currently supported drives available from IBM.

Maximum memory may require replacement of the standard memory with an optional memory module.

IBM makes no representation or warranties regarding non-IBM products and services that are ServerProven<sup>®</sup>, including but not limited to the implied warranties of merchantability and fitness for a particular purpose. These products are offered and warranted solely by third parties.

IBM makes no representations or warranties with respect to non-IBM products. Support (if any) for the non-IBM products is provided by the third party, not IBM.

Some software may differ from its retail version (if available), and may not include user manuals or all program functionality.

---

## Product recycling and disposal

This unit contains materials such as circuit boards, cables, electromagnetic compatibility gaskets, and connectors which may contain lead and copper/beryllium alloys that require special handling and disposal at end of life. Before this unit is disposed of, these materials must be removed and recycled or discarded according to applicable regulations. IBM offers product-return programs in several countries. Information on product recycling offerings can be found on IBM's Internet site at <http://www.ibm.com/ibm/environment/products/prp.shtml>.

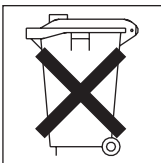
---

## Battery return program

This product may contain a sealed lead acid, nickel cadmium, nickel metal hydride, lithium, or lithium ion battery. Consult your user manual or service manual for specific battery information. The battery must be recycled or disposed of properly. Recycling facilities may not be available in your area. For information on disposal of batteries outside the United States, go to <http://www.ibm.com/ibm/environment/products/batteryrecycle.shtml> or contact your local waste disposal facility.

In the United States, IBM has established a collection process for reuse, recycling, or proper disposal of used IBM sealed lead acid, nickel cadmium, nickel metal hydride, and battery packs from IBM equipment. For information on proper disposal of these batteries, contact IBM at 1-800-426-4333. Have the IBM part number listed on the battery available prior to your call.

In the Netherlands, the following applies.



---

## Electronic emission notices

When you attach a monitor to the equipment, you must use the designated monitor cable and any interference suppression devices that are supplied with the monitor.

## **Federal Communications Commission (FCC) statement**

**Note:** This equipment has been tested and found to comply with the limits for a Class A digital device, pursuant to Part 15 of the FCC Rules. These limits are designed to provide reasonable protection against harmful interference when the equipment is operated in a commercial environment. This equipment generates, uses, and can radiate radio frequency energy and, if not installed and used in accordance with the instruction manual, may cause harmful interference to radio communications. Operation of this equipment in a residential area is likely to cause harmful interference, in which case the user will be required to correct the interference at his own expense.

Properly shielded and grounded cables and connectors must be used in order to meet FCC emission limits. IBM is not responsible for any radio or television interference caused by using other than recommended cables and connectors or by unauthorized changes or modifications to this equipment. Unauthorized changes or modifications could void the user's authority to operate the equipment.

This device complies with Part 15 of the FCC Rules. Operation is subject to the following two conditions: (1) this device may not cause harmful interference, and (2) this device must accept any interference received, including interference that may cause undesired operation.

## **Industry Canada Class A emission compliance statement**

This Class A digital apparatus complies with Canadian ICES-003.

## **Avis de conformité à la réglementation d'Industrie Canada**

Cet appareil numérique de la classe A est conforme à la norme NMB-003 du Canada.

## **Australia and New Zealand Class A statement**

**Attention:** This is a Class A product. In a domestic environment this product may cause radio interference in which case the user may be required to take adequate measures.

## **European Union EMC Directive conformance statement**

This product is in conformity with the protection requirements of EU Council Directive 2004/108/EC on the approximation of the laws of the Member States relating to electromagnetic compatibility. IBM cannot accept responsibility for any failure to satisfy the protection requirements resulting from a nonrecommended modification of the product, including the fitting of non-IBM option cards.

**Attention:** This is an EN 55022 Class A product. In a domestic environment this product may cause radio interference in which case the user may be required to take adequate measures.

Responsible manufacturer:  
International Business Machines Corp.  
New Orchard Road  
Armonk, New York 10504  
914-499-1900

European Community contact:  
IBM Deutschland GmbH  
Technical Regulations, Abteilung M372  
IBM-Allee 1, 71139 Ehningen, Germany  
Telephone: +49 7032 15 2941  
Email: lugi@de.ibm.com

## **Germany Class A statement**

### **Deutschsprachiger EU Hinweis:**

#### **Hinweis für Geräte der Klasse A EU-Richtlinie zur Elektromagnetischen Verträglichkeit**

Dieses Produkt entspricht den Schutzanforderungen der EU-Richtlinie 2004/108/EG zur Angleichung der Rechtsvorschriften über die elektromagnetische Verträglichkeit in den EU-Mitgliedsstaaten und hält die Grenzwerte der EN 55022 Klasse A ein.

Um dieses sicherzustellen, sind die Geräte wie in den Handbüchern beschrieben zu installieren und zu betreiben. Des Weiteren dürfen auch nur von der IBM empfohlene Kabel angeschlossen werden. IBM übernimmt keine Verantwortung für die Einhaltung der Schutzanforderungen, wenn das Produkt ohne Zustimmung der IBM verändert bzw. wenn Erweiterungskomponenten von Fremdherstellern ohne Empfehlung der IBM gesteckt/eingebaut werden.

EN 55022 Klasse A Geräte müssen mit folgendem Warnhinweis versehen werden: "Warnung: Dieses ist eine Einrichtung der Klasse A. Diese Einrichtung kann im Wohnbereich Funk-Störungen verursachen; in diesem Fall kann vom Betreiber verlangt werden, angemessene Maßnahmen zu ergreifen und dafür aufzukommen."

#### **Deutschland: Einhaltung des Gesetzes über die elektromagnetische Verträglichkeit von Geräten**

Dieses Produkt entspricht dem "Gesetz über die elektromagnetische Verträglichkeit von Geräten (EMVG)". Dies ist die Umsetzung der EU-Richtlinie 2004/108/EG in der Bundesrepublik Deutschland.

## **Zulassungsbescheinigung laut dem Deutschen Gesetz über die elektromagnetische Verträglichkeit von Geräten (EMVG) (bzw. der EMC EG Richtlinie 2004/108/EG) für Geräte der Klasse A**

Dieses Gerät ist berechtigt, in Übereinstimmung mit dem Deutschen EMVG das EG-Konformitätszeichen - CE - zu führen.

Verantwortlich für die Einhaltung der EMV Vorschriften ist der Hersteller:

International Business Machines Corp.  
New Orchard Road  
Armonk, New York 10504  
914-499-1900

Der verantwortliche Ansprechpartner des Herstellers in der EU ist:

IBM Deutschland GmbH  
Technical Regulations, Abteilung M372  
IBM-Allee 1, 71139 Ehningen, Germany  
Telephone: +49 7032 15 2941  
Email: lugi@de.ibm.com

### **Generelle Informationen:**

Das Gerät erfüllt die Schutzanforderungen nach EN 55024 und EN 55022 Klasse A.

### **VCCI Class A statement**

この装置は、クラス A 情報技術装置です。この装置を家庭環境で使用すると電波妨害を引き起こすことがあります。この場合には使用者が適切な対策を講ずるよう要求されることがあります。 VCCI-A

This is a Class A product based on the standard of the Voluntary Control Council for Interference (VCCI). If this equipment is used in a domestic environment, radio interference may occur, in which case the user may be required to take corrective actions.

### **Japan Electronics and Information Technology Industries Association (JEITA) statement**

高調波ガイドライン適合品

Japanese Electronics and Information Technology Industries Association (JEITA) Confirmed Harmonics Guideline (products less than or equal to 20 A per phase)

## Korea Communications Commission (KCC) statement

이 기기는 업무용(A급)으로 전자파적합기기로  
서 판매자 또는 사용자는 이 점을 주의하시기  
바라며, 가정외의 지역에서 사용하는 것을 목  
적으로 합니다.

This is electromagnetic wave compatibility equipment for business (Type A).  
Sellers and users need to pay attention to it. This is for any areas other than  
home.

## Russia Electromagnetic Interference (EMI) Class A statement

ВНИМАНИЕ! Настоящее изделие относится к классу А.  
В жилых помещениях оно может создавать радиопомехи, для  
снижения которых необходимы дополнительные меры

## People's Republic of China Class A electronic emission statement

中华人民共和国“A类”警告声明

声 明

此为A级产品，在生活环境中，该产品可能会造成无线电干扰。在这种情况下，  
可能需要用户对干扰采取切实可行的措施。

## Taiwan Class A compliance statement

**警告使用者：**  
這是甲類的資訊產品，在  
居住的環境中使用時，可  
能會造成射頻干擾，在這  
種情況下，使用者會被要  
求採取某些適當的對策。

---

## Index

### B

- bay locations 7
- blade server port assignment 24

### C

- cables
  - copper 3
- Class A electronic emission notice 37
- compatible options Web site 11
- components
  - major 5
- configuration problems 30
- controller enumeration 10
- copper cables 3
- copper pass-thru cable
  - 1000 Mbps 29

### D

- data transmission rates 3

### E

- electronic emission Class A notice 37
- Ethernet
  - controller enumeration 10
  - interface requirements 8
- external components 23

### F

- FCC Class A notice 37
- features 3
- firmware upgrade 29
- front panel 23

### G

- general requirements 3

### H

- handling static-sensitive devices 11
- hardware problems 29

### I

- I/O module
  - LEDs 25
- I/O module fault LED 26
- identification labels 5
- indicators 25
- installation
  - guidelines 11
  - illustration 16, 17
  - procedure 17
  - requirements 8, 9
- installing
  - I/O module 16, 17
  - options 11
- introduction 1
- inventory checklist 4

### L

- labels 5
- LEDs
  - front view 25
  - I/O module fault 26
  - Link OK 26
  - power 26
- Link OK LED 26
- location
  - LEDs 23
  - ports 23
  - serial number 5

### M

- major components 5
- management module port assignment 23, 25

### N

- notes, important 35

notices  
  electronic emission 37  
  FCC, Class A 37  
  used in this book 4

## O

options  
  installing 11  
  Web site 11

## P

port assignment 23, 24, 25  
port locations 3, 23  
port specifications 3  
power LED 26

## R

removing  
  I/O module 20

## S

serial number 5  
specifications  
  data transmission 3  
  ports 3  
  technical 3  
static electricity 11  
static-sensitive devices, handling 11  
status and failure LEDs 3  
supported options Web site 11  
system reliability 11

## T

technical specifications 3  
trademarks 34  
transmission rates 3  
troubleshooting  
  hardware 29  
  installation problems 29  
  system configuration problems 30

## U

United States electronic emission Class A  
  notice 37

United States FCC Class A notice 37  
upgrade firmware 29

## W

Web site  
  IBM products 2, 6  
  supported options 11  
World Wide Web 2, 6







Part Number: 00D9268

Printed in USA

(1P) P/N: 00D9268

